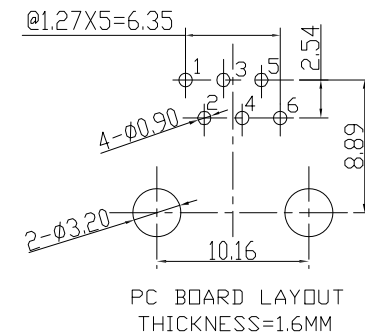
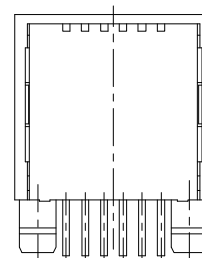
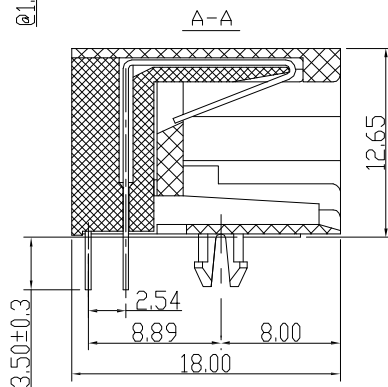
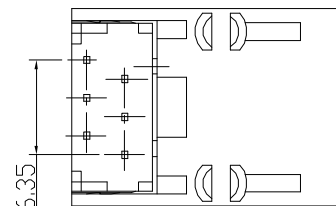
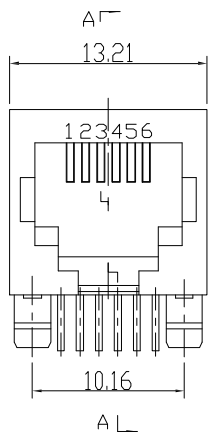


REV. 版本	ECN NO. 变更说明	DATE 日期
01	ADD P/N	08/06/13



SPECIFICATION NOTES:

ELECTRICAL:

- VOLTAGE RATING: 125 VAC RMS
- CURRENT RATING: 1.5 AMP@25°C
- CONTACT RESISTANCE: 20mΩ MAX.
- INSULATION RESISTANCE: 1000MΩ MIN. @500V DC.
- DIELECTRIC STRENGTH: 1000 V AC RMS, contact to contact or 1500VDC, contact to screen and test panel @0.5mA 50Hz or 60Hz 1 min.

- HOUSING&INSERT&MATERIAL: PBT/PA46 UL94V-0.
- CONTACT MATERIAL: PHOSPHOR BRONZE T=0.35mm.
- PLATING: 1: CONTACT AREA-SELECTIVE GOLD PLATING.  
2:TAILS PLATING TIN OVER NICKEL.

- OPERATING LIFE:750 CYCLES MIN.
- MATING/UNMATING FORCE: 30N/3.06KG MAX.
- RETENTION STRENGTH:50N MIN. FOR 60S±5S

ENVIRONMENTAL:

- STORAGE:-40°C TO +85°C RELATIVE HUMIDITY<80%
- GUARANTEE PERIOD:12 MONTHS
- OPERATION: -40° C TO +85° C

RoHS Compliant

Coorle Technology

TOLERANCES  
公差  
00~15 ± 0.15  
15~30 ± 0.20  
30~ ± 0.25  
ANGLES ±1°

Material:  
材质 SEE\_NOTE

Finish:  
电镀 SEE\_NOTE

SHEET 1 OF 1  
第1页 共1页

Designed:  
设计 鲁俊

Checked:  
审核

Approved:  
核准

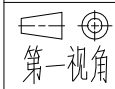
NAME:  
名称 RJ11 PCB JACK 5621 6P

DWG NO:  
图号

PART NO:  
料号 SEE\_NOTE

REV.  
版本

06



A4  
SIZE

SCALE  
比例 1:1

UNIT  
单位 mm

CUSTOMER:  
客户 MODEL NO:  
料号